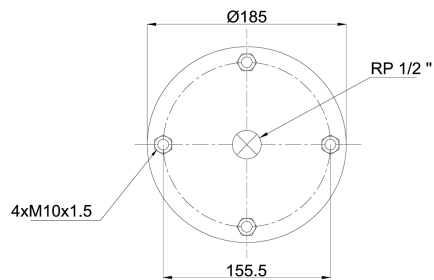
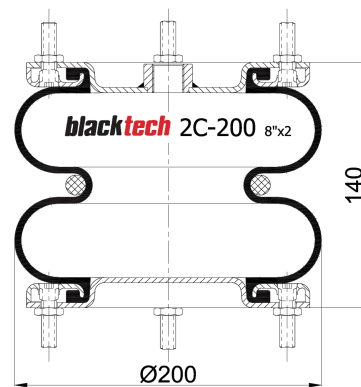
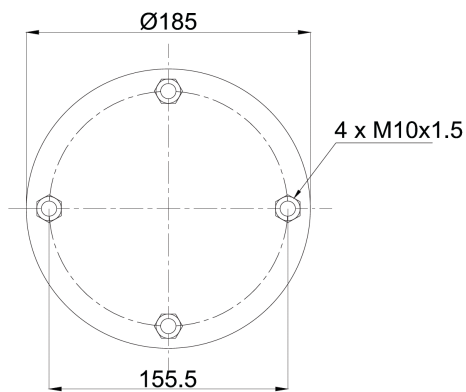


Vibracoustic CVAir Springs

2C200-140P01



 bolt or stud

 hole

 threaded hole

 combinations stud

 air inlet



2C200-140P01



Cross References	
Firestone	8X2
Firestone	W01 R58 4055



2C200-140P01



OEM Part Number	
DUNLOP	SP1490(8"x2)
Fruehauf	F48054M
Fruehauf	M80A04
LOHR	A06030604
Samro	H2500188
TROUILLET	1531110600