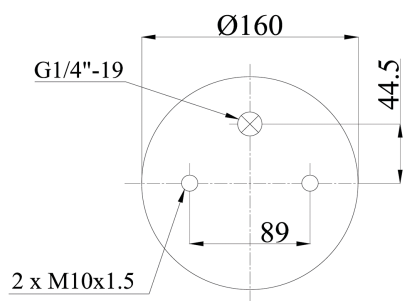
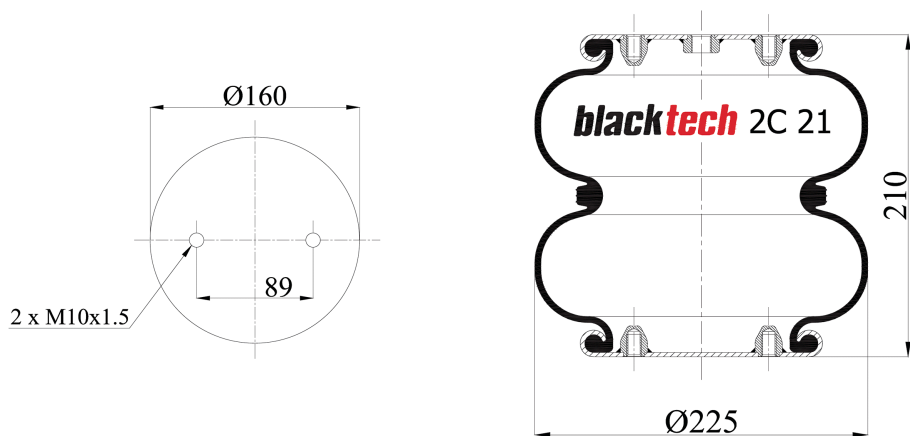


Vibracoustic CVAir Springs

2C21-210P01



●
bolt or stud

○
hole

⊗
threaded hole

⊗
combinations stud

⊗
air inlet



2C21-210P01



Cross References

Contitech	FD200-191/4M10
-----------	----------------





2C21-210P01



OEM Part Number	
Hendrickson	NA1827
ROR Meritor	21221395
ROR Meritor	21222663
Weweler	

