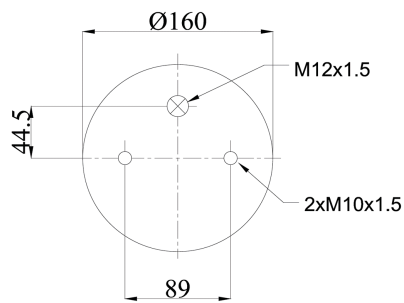
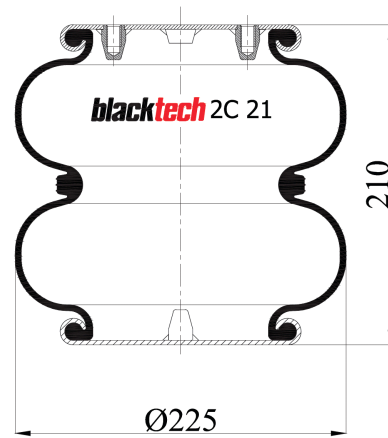
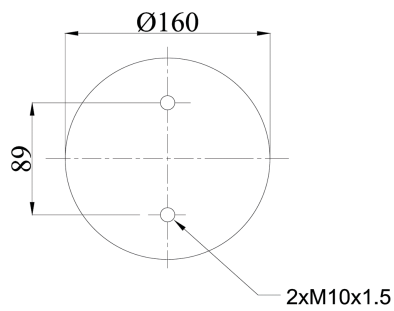


Vibracoustic CVAir Springs

2C21-210P22



bolt or stud



hole



threaded hole



combinations stud



air inlet

2C21-210P22



Cross References	
Contitech	FD200-191/4P04
Firestone	20F
Firestone	W01 M58 7894
Goodyear	2B9-287
Phoenix	SP2B12 R-5
Taurus	T20L207065

2C21-210P22



OEM Part Number	
DUNLOP	S09208(9"1/4x2NB)
Granning	15599
Scania	1319761
Scania	1387289