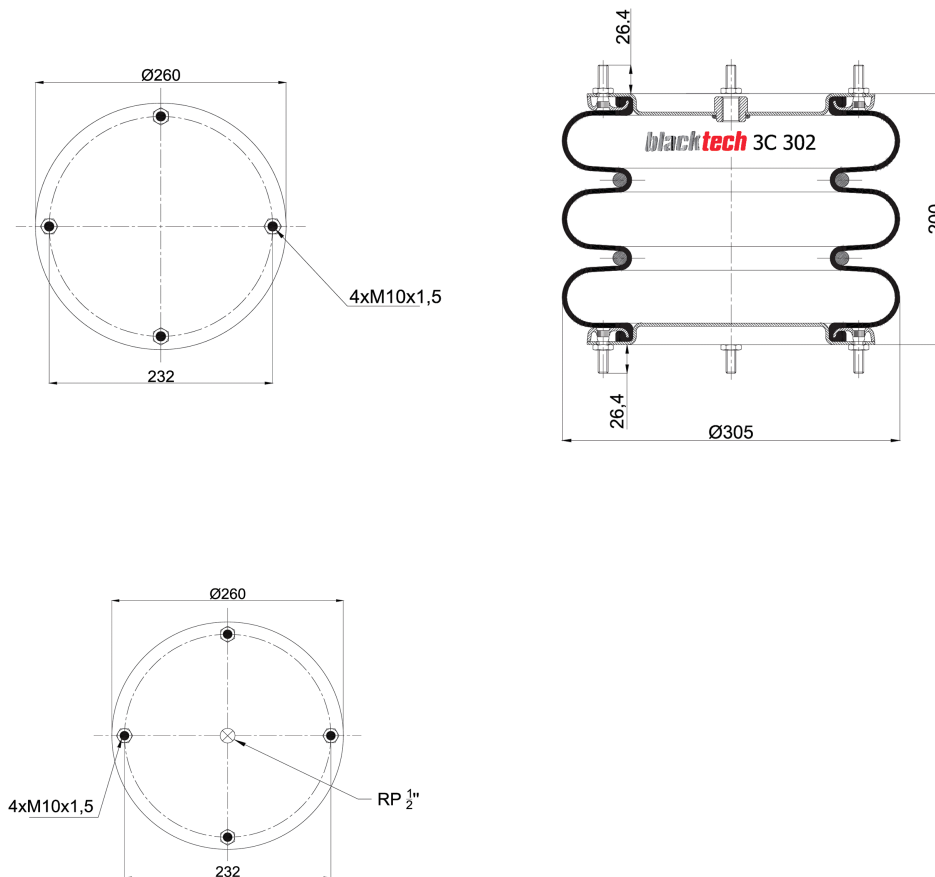


# Vibracoustic CVAir Springs

3C302-200P01



● bolt or stud

○ hole

⊗ threaded hole

⊗ combinations stud

⊗ air inlet



3C302-200P01



Cross References



3C302-200P01



OEM Part Number	
DUNLOP	SP1542NB(12"x3NB)
Gigant	881204
Granning	15816