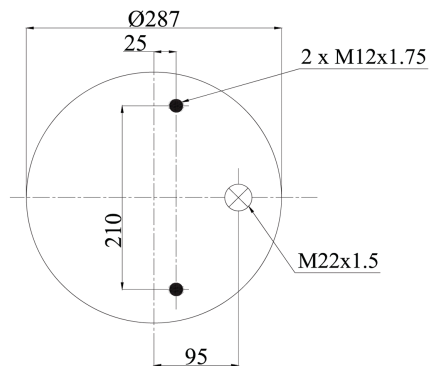
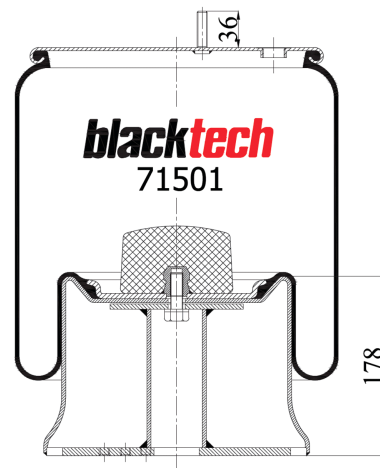
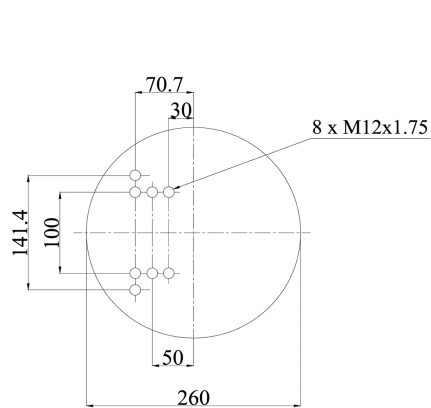


Vibracoustic CVAir Springs

RML 71501 C



● bolt or stud

○ hole

⊗ threaded hole

⊗ combinations stud

⊗ air inlet

RML 71501 C



Cross References	
Goodyear	1R14 823
Phoenix	1DK 28 F-3

RML 71501 C



OEM Part Number	
GART	D277.2.520
Mercedes	A9463281501
Schmitz	FAG041-0087
Schmitz	S015323
Weweler	US04030G
Weweler	US04030P