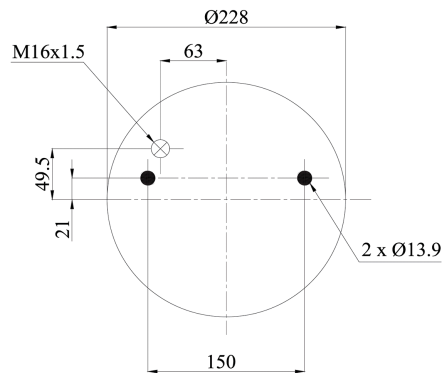
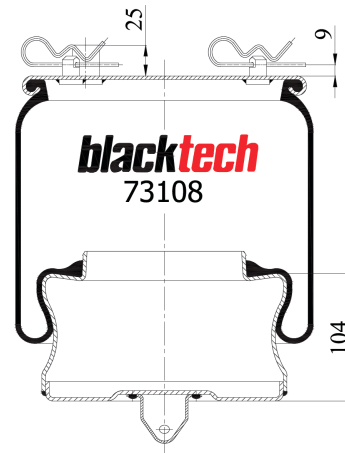
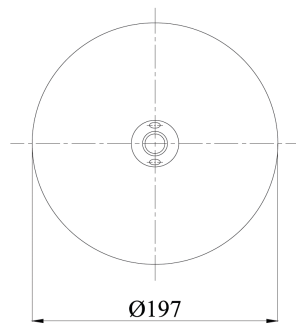


# Vibracoustic CVAir Springs

RML 73108 C



●  
bolt or stud

○  
hole

⊗  
threaded hole

⊗  
combinations stud

⊗  
air inlet

RML 73108 C



Cross References	
Contitech	6604NP01
Phoenix	1 DF 17-1

RML 73108 C



OEM Part Number	
Granning	93919
Volvo	20573108
Volvo	70321692
Volvo	70376919