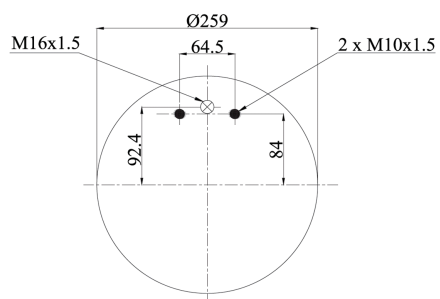
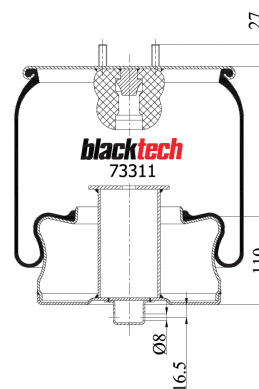
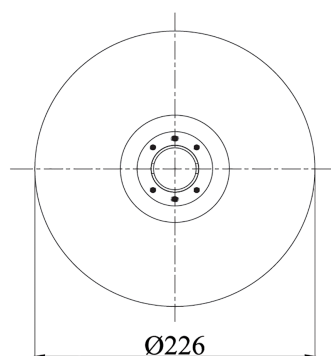


Vibracoustic CVAir Springs

RML 73311 C



●
bolt or stud

○
hole

⊗
threaded hole

⊗
combinations stud

⊗
air inlet

RML 73311 C



Cross References

Contitech	6603NP02
Vibracoustic	V1DF16E-1



RML 73311 C



OEM Part Number	
Volvo (Bus)	20573311

