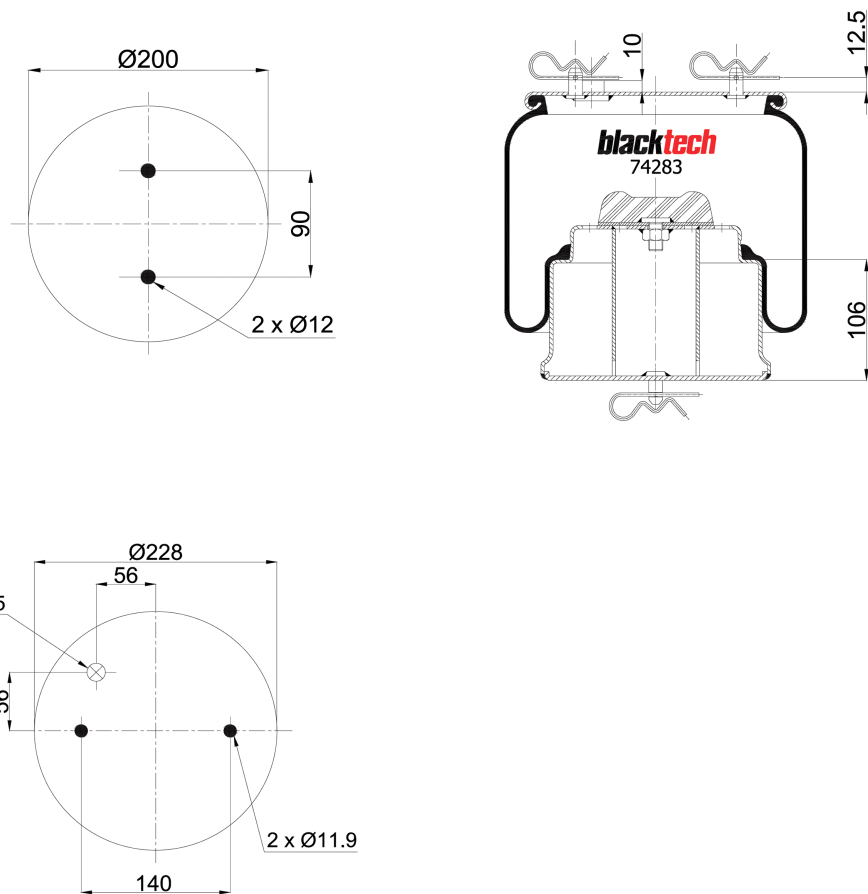


Vibracoustic CVAir Springs

RML 74283 C



 bolt or stud

 hole

 threaded hole

 combinations stud

 air inlet



RML 74283 C



Cross References

Goodyear	1R11-879
----------	----------





RML 74283 C



OEM Part Number	
Scania (Front Axle)	2024283
Scania (Front Axle)	2024284

