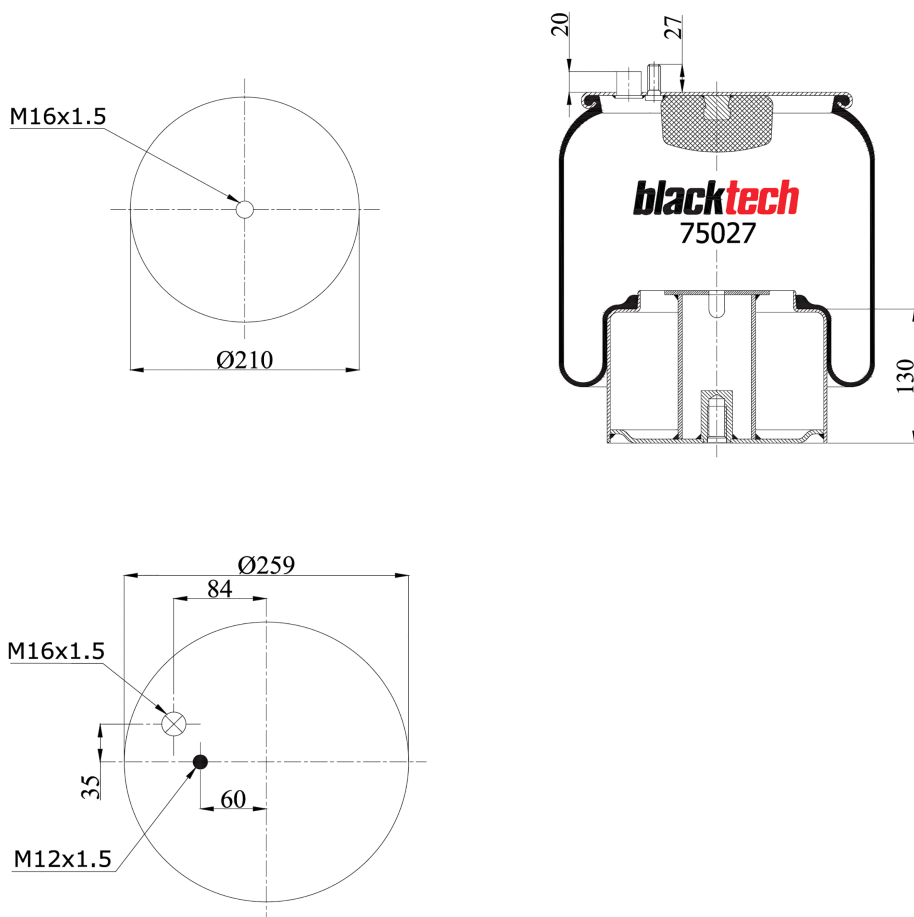


Vibracoustic CVAir Springs

RML 75027 C7



●
bolt or stud

○
hole

⊗
threaded hole

⊗
combinations stud

⊗
air inlet

Vibracoustic CVAir Springs



RML 75027 C7



Cross References

Contitech	4916N1P01
-----------	-----------



RML 75027 C7



OEM Part Number	
MAN (TGA)	81.43600.6042