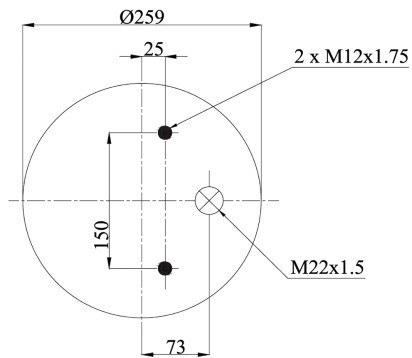
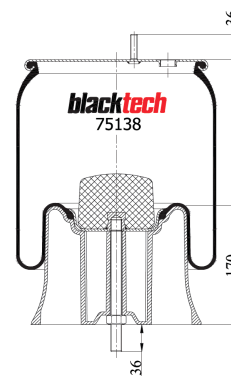
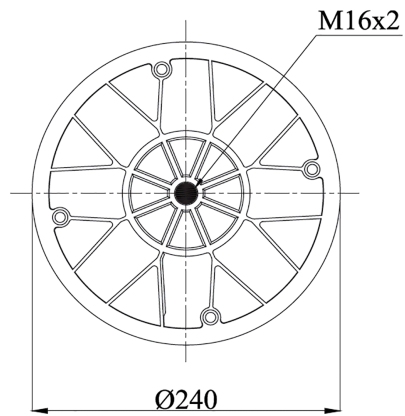


Vibracoustic CVAir Springs

RML 75138 CP



 bolt or stud

 hole

 threaded hole

 combinations stud

 air inlet



RML 75138 CP



Cross References	
CF Gomma	1T 300-37/207719





RML 75138 CP



OEM Part Number

