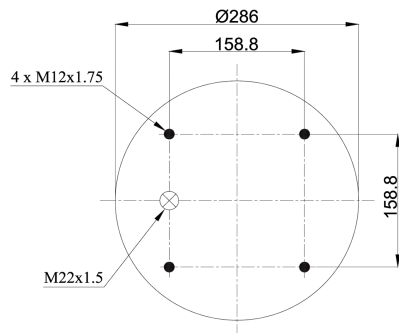
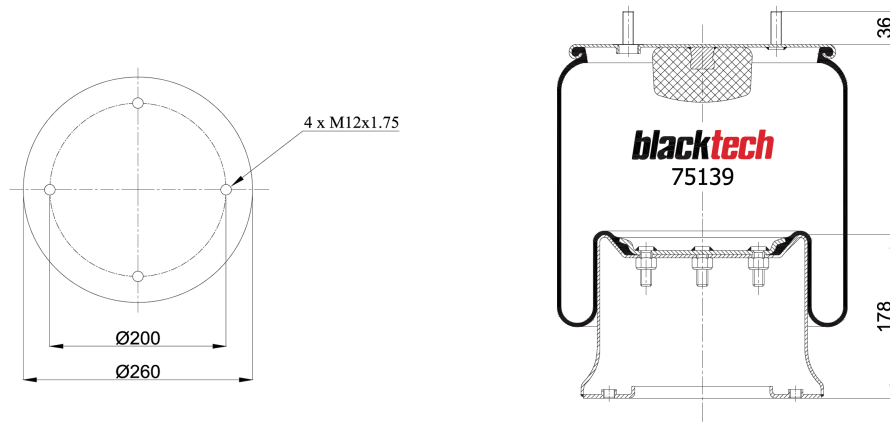


Vibracoustic CVAir Springs

RML 75139 C5



 bolt or stud

 hole

 threaded hole

 combinations stud

 air inlet

RML 75139 C5



Cross References	
Contitech	4028NP05
Firestone	1T19 L-11
Firestone	W01 M58 7370
Goodyear	1R14-710
Phoenix	1D 28 B-12



RML 75139 C5



OEM Part Number	
ROR Meritor	21222239

