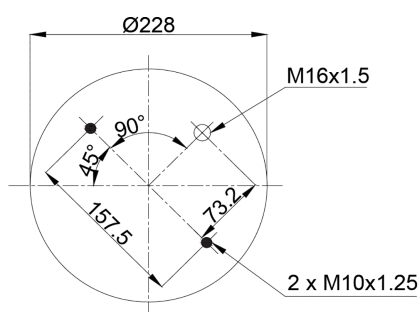
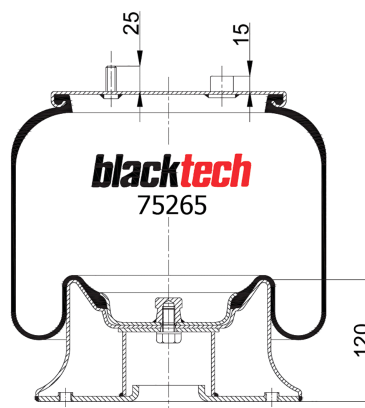
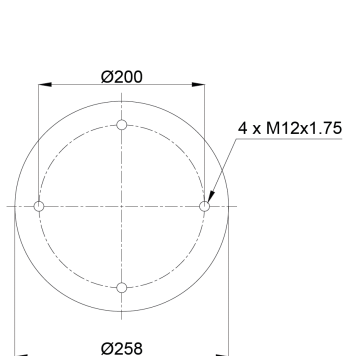


Vibracoustic CVAir Springs

RML 75265 C5



● bolt or stud

○ hole

⊗ threaded hole

⊗ combinations stud

⊗ air inlet

RML 75265 C5



Cross References

Contitech	4154NP05
-----------	----------



RML 75265 C5



OEM Part Number	
RVI	5.010.239.252
RVI	5.010.488.071

