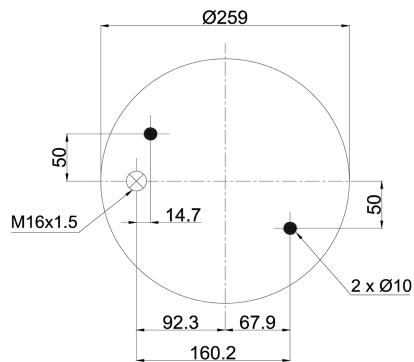
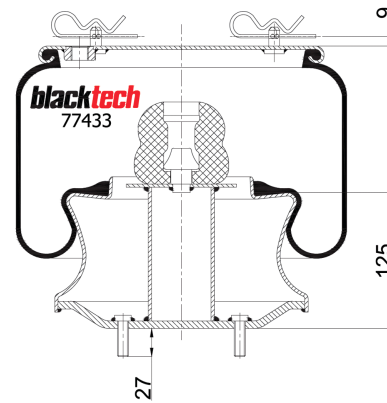
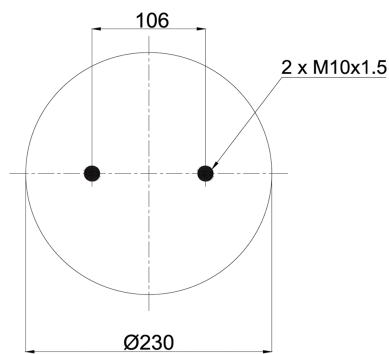


# Vibracoustic CVAir Springs

RML 77433 C



 bolt or stud

 hole

 threaded hole

 combinations stud

 air inlet

RML 77433 C



Cross References

Goodyear	1R12-825
----------	----------

RML 77433 C



OEM Part Number	
Volvo	21097433
Volvo	21513833
Volvo	70311683