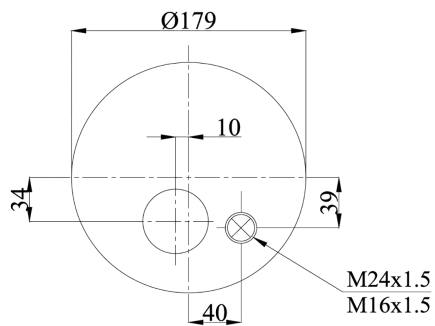
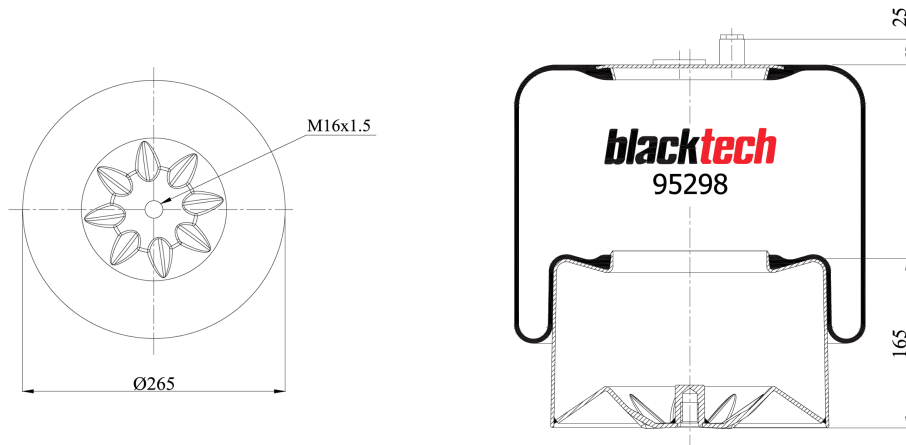


# Vibracoustic CVAir Springs

RML 95298 C21



 bolt or stud

 hole

 threaded hole

 combinations stud

 air inlet

RML 95298 C21



Cross References	
Contitech	4187NP21
Contitech	4187NP23(NewCode)



RML 95298 C21



OEM Part Number	
Granning	93925
Mercedes (Actros MP2)	A9343202621
Mercedes (Actros MP2)	A9343207221

