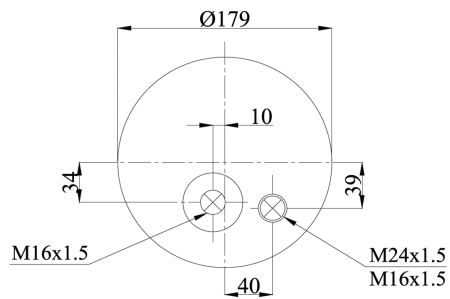
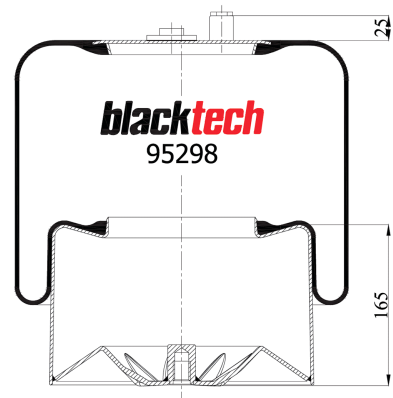
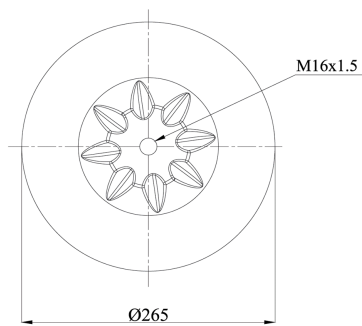


# Vibracoustic CVAir Springs

RML 95298 C22



● bolt or stud

○ hole

⊗ threaded hole

⊗ combinations stud

⊗ air inlet



RML 95298 C22



Cross References	
Contitech	4187NP22
Contitech	4183NP24(NewCode)





RML 95298 C22



OEM Part Number	
Mercedes (Actros MP2)	A9423202721
Mercedes (Actros MP2)	A9423207321

